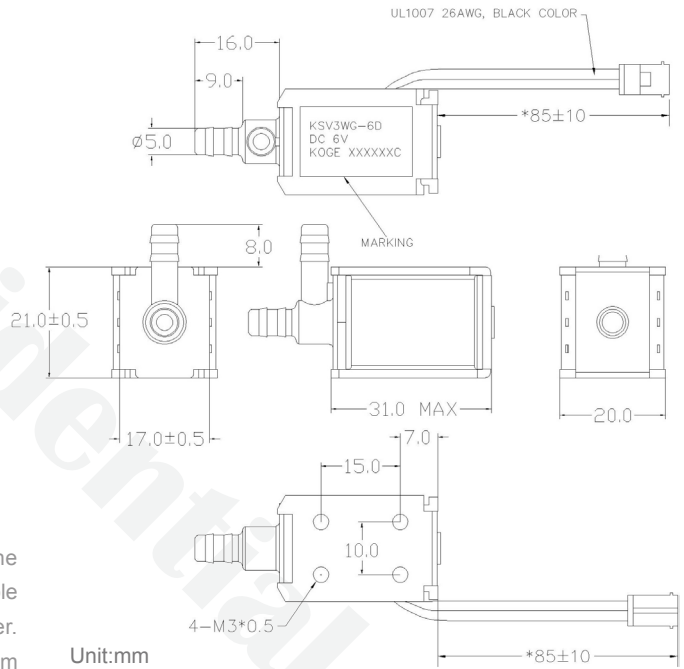
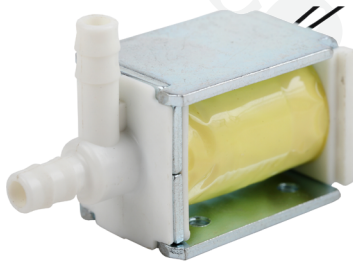


# Solenoid Valve

## KSV3W Series KSV3WG



### Concept

A solenoid valve is an electromechanical controlled valve. The valve features a solenoid, which is an electric coil with a movable ferromagnetic core in its center. This core is called the plunger. In rest position, the plunger with a rubber gasket on the bottom closes off a small orifice. Thus, a small spring holds the plunger down to close the valve. An electric current through the coil creates a magnetic field. The magnetic field exerts a force on the plunger. As a result, the plunger is pulled toward the center of the coil so that the orifice opens.

When the solenoid is not powered, the magnetic field disappears, making the spring goes back up and the orifice will be closed.

Unit:mm

### Features

- ▶ Compact size
- ▶ Low power consumption
- ▶ Low air leakage
- ▶ High stability
- ▶ Quick response

### Application

- ▶ Medical instruments
- ▶ Medical consumer devices
- ▶ Industrial use
- ▶ Portable gas detection
- ▶ Patient monitoring

### Model Key

Product	KOGE	Solenoid	Category	Type	SeriesA-Z	Voltage	Series	Output
Valve	K	S	V	3W	G	6	D	KSV3WG-6D

### Specifications

Part Number	KSV3WG		
Voltage	DC 6V	DC 12V	DC 24V
Operating Voltage	DC 5.5V ~ 6.5V	DC 10.8V ~ 13.2V	DC 21.6V ~ 26.4V
Max. Pressure	375mmHg	350mmHg	330mmHg
Rated Current	353mA	240mA	115mA
Type	3 way type	3 way type	3 way type
DC Resistance	17Ω+10%	50Ω±10%	210Ω±10%
Life	50,000 cycles	50,000 cycles	50,000 cycles
Testing Cycle	On 0.5s;Off 5s	On 0.5s;Off 5s	On 0.5s;Off 5s
Exhaust Speed	<5.0s@ DC6.0V, 300 mmHg to 10mmHg with a 500cc tank	<4.0s@ DC12.0V, 300 mmHg to 15mmHg with a 500cc tank	<4.0s@ DC24.0V, 300 mmHg to 15mmHg with a 500cc tank

### Materials

Metal nozzle	Steel
Plastic nozzle	PBT
Washer	Rubber

### Similar Product

	6V	12V	24V
KSV2WG	X	•	X
KSV3WC	X	•	X

KOGE reserves the right to make technical changes without notice.