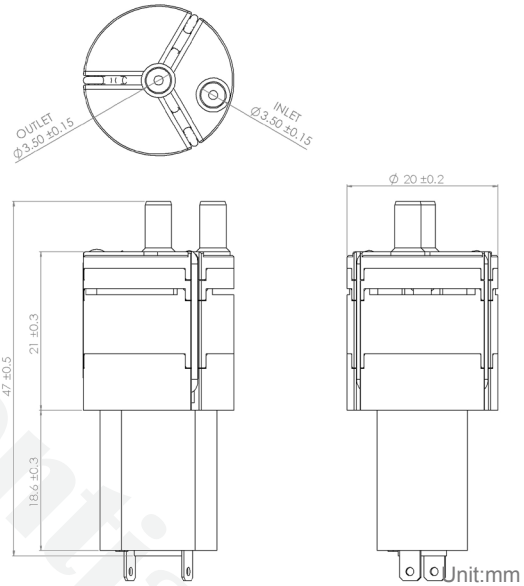


Rotary Diaphragm Pump KPW20 Series KPW20A



Concept

Piston pumps and plunger pumps are reciprocating positive displacement pumps that use a plunger or piston to move media through a cylindrical chamber.

They use a mechanism (typically rotational) to create a reciprocating motion along an axis, which then builds pressure in a cylinder or working barrel to force gas or fluid through the pump. The pressure in the chamber actuates the valves at both the suction and discharge points.

Specifically, air flow rate is proportional to motor speed, piston stroke, and piston diameter.

Features

- ▶ Compact size
- ▶ Low noise
- ▶ Low energy consumption
- ▶ High stability

Application

- ▶ Medical treatment
- ▶ Coffee maker
- ▶ Water dispensers
- ▶ Household application
- ▶ Fountain, aquariums

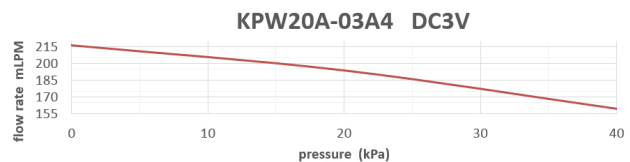
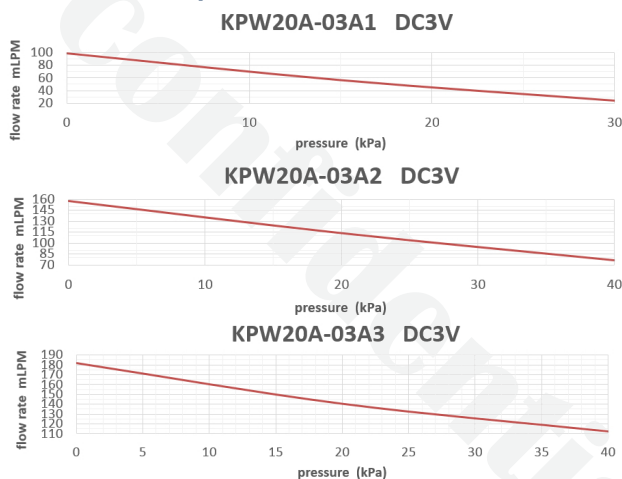
Model Key

Category	KOGE	Pump	Type	Pump Head Size	Series A~Z	Voltage	Series	Output
Diaphragm	K	P	W	20	A	3	A1	KPW20A-03A1

Specifications

Testing Cycle	Flow Rate (mL/min)	Maximum Pressure (kPa)	Current (mA)	Suction Stroke (m)	Noise (dB)	Life	Testing Cycle
KPW20A-03A1	90~110	> 25	< 70	> 1.5	< 38	120H	On 60s; Off 60s @2.5kPa Loaded
KPW20A-03A2	140~160	> 100	< 130	> 1.6	< 40		
KPW20A-03A3	170~190	> 120	< 200	> 2	< 40		
KPW20A-03A4	190~210	> 200	< 250	> 2	< 45		

Curve Graph



Materials

Nozzle	PPO
Valve	NBR
Diaphragm	EPDM
Motor	DC brush

KOGE reserves the right to make technical changes without notice.