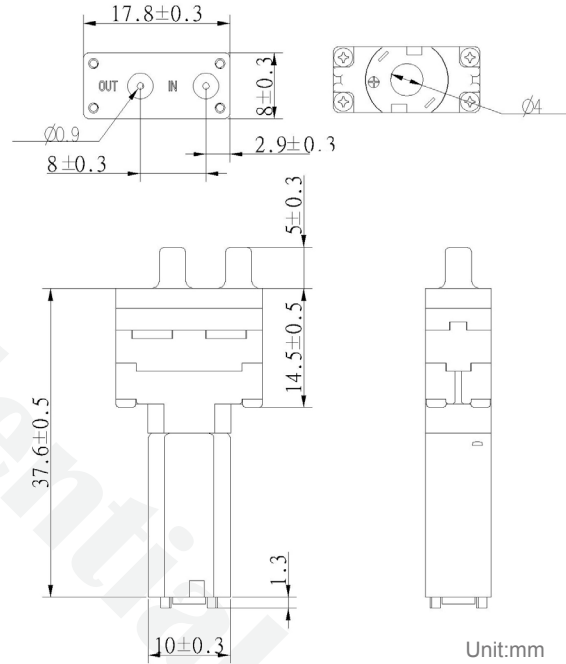
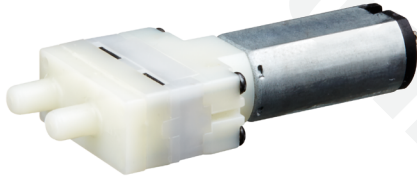


Rotary Diaphragm Pump KPW08 Series KPW08A



Concept

Piston pumps and plunger pumps are reciprocating positive displacement pumps that use a plunger or piston to move media through a cylindrical chamber.

They use a mechanism (typically rotational) to create a reciprocating motion along an axis, which then builds pressure in a cylinder or working barrel to force gas or fluid through the pump. The pressure in the chamber actuates the valves at both the suction and discharge points.

Specifically, air flow rate is proportional to motor speed, piston stroke, and piston diameter.

Features

- ▶ Compact size
- ▶ Low energy consumption
- ▶ High stability

Application

- ▶ Medical treatment
- ▶ Household application
- ▶ Fountain, aquariums
- ▶ Vacuum cleaner

Model Key

Category	KOGE	Pump	Type	Pump Head Size	Series A~Z	Voltage	Series	Output
Diaphragm	K	P	W	08	A	5	A	KPW08A-5A

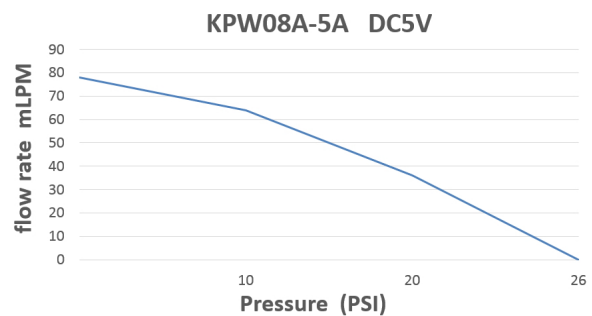
Specifications

P/N	Flow Rate (mL/min)	Maximum Pressure (PSI)	Current (mA)	Suction Stroke (m)	Noise (dB)	Life	Testing Cycle
KPW08A-5A	78	25	< 450	> 1	< 52	10,000 cycles	On 10s; Off 10s

Materials

Nozzle	ABS
Valve	NBR
Diaphragm	EPDM
Motor	DC brush

Curve Graph



KOGE reserves the right to make technical changes without notice.