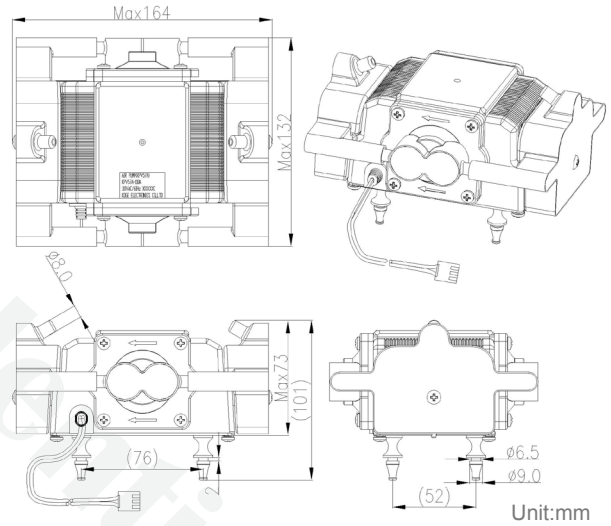
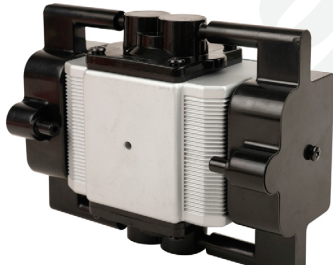


Linear Pump KPV57 Series KPV57A



Concept

KOGE KPV linear pumps are extremely compact with patented technology that guarantees high performance. AC Motor of variously rated voltages is available. These pumps are often used in medical instruments, home care application and massage machine. For customers with unusual requirements the KOGE project team produces specially tailored solutions. Use our experience to your advantage and discuss to our applications engineers experience to our applications engineers.

Features

- ▶ Long life
- ▶ Low noise & vibration
- ▶ Very Low power consumption
- ▶ Maintenance free
- ▶ High efficiency

Application

- ▶ Gas analysis
- ▶ Medical instruments
- ▶ Massage machine
- ▶ Air mattresses
- ▶ Compression therapy devices

Model Key

Category	KOGE	Pump	Type	Length of steel laminations	Series A~Z	Voltage	Series	Output
Diaphragm	K	P	V	57	A	110	A	KPV57A-110A

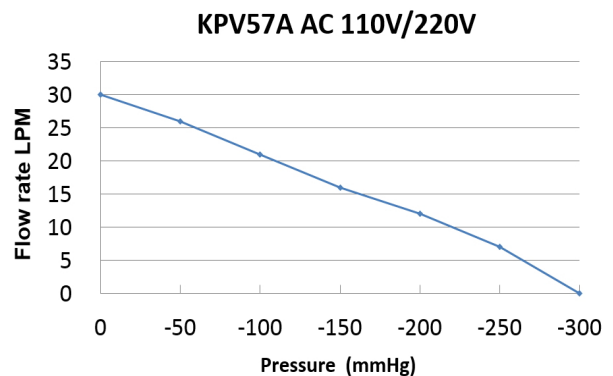
Specifications

Part Number	KPV57A	
Voltage	AC 110V	AC 220V
Operating Voltage	AC 99~121V	AC 198~242V
Max. Flow	30 L/min	30 L/min
Max. Pressure	210mmHg	210mmHg
Max. Vacuum	-300mmHg	-300mmHg
Max. Current	380mA	300mA
Noise Level	< 58 dB	< 58 dB
Life	3,000hrs	3,000hrs
Testing Cycle	Continuous	Continuous

Materials

Nozzle	ABS
Valve	Sil
Diaphragm	EPDM

Curve Graph



Similar Products

110V	220V
NA	KPT57A-220A

KOGE reserves the right to make technical changes without notice.