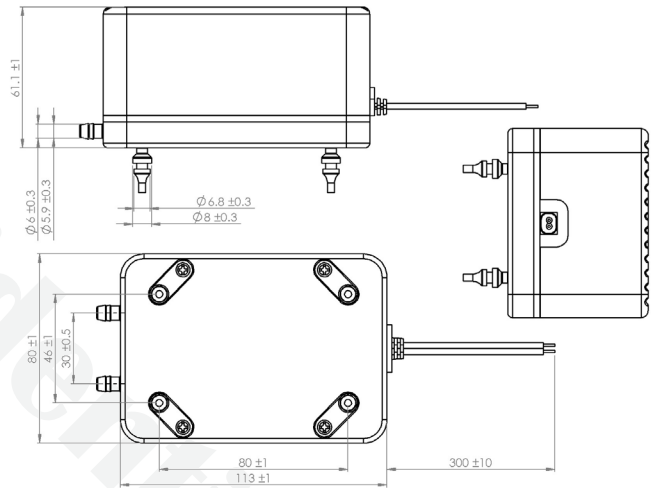


## Linear Pump KPT38 Series KPT38B



Unit:mm

### Concept

KOGE linear pump is based on alternating current (ac) motivation. The Linear-motor-driven Free Piston System has an internal piston inside the cylinder which is driven by an electro-magnet and spring system controlled by the alternating input current cycle. Therefore, the piston forms a single combined structure of motor and pump. The system is quiet and vibration free, and offers the advantages of easy maintenance and a long operating life.

### Features

- ▶ Long life
- ▶ Low noise & vibration
- ▶ Very Low power consumption
- ▶ Maintenance free
- ▶ High efficiency

### Application

- ▶ Gas analysis
- ▶ Medical instruments
- ▶ Massage machine
- ▶ Air mattresses
- ▶ Compression therapy devices

### Model Key

Category	KOGE	Pump	Type	Length of steel laminations	Series A~Z	Voltage	Series	Output
Diaphragm	K	P	T	38	B	220	A	KPT38B-220A

### Specifications

Part Number	KPT38B-220A
Voltage	AC 220V 50HZ
Operating Voltage	AC198V~242V
Max. Flow	8 L/min
Max. Pressure	145mmHg
Max. Current	42mA
Life	5,000hrs
Testing Cycle	Continuous
Noise Level	< 45 dB

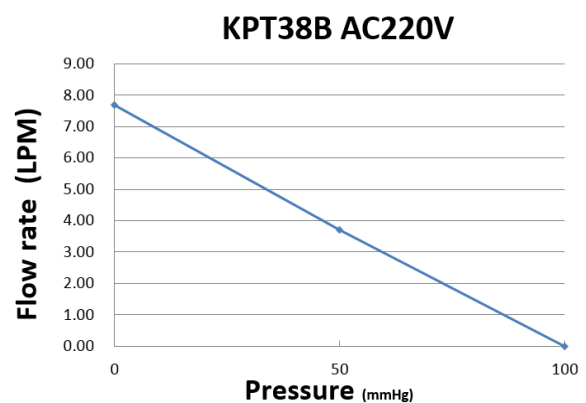
### Materials

Nozzle	ABS
Valve	CR
Diaphragm	EPDM

### Similar Products

110V	220V
KPT38A-110A	KPT38A-220A

### Curve Graph



KOGE reserves the right to make technical changes without notice.