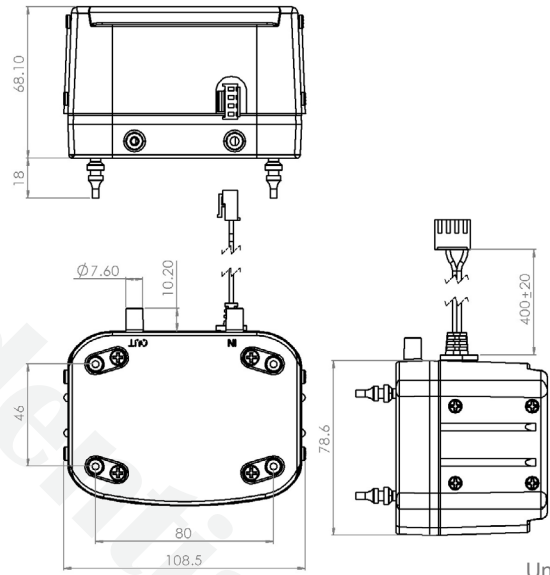


# Linear Pump KPT38 Series KPT38A



Unit:mm

## Concept

KOGE linear pump is based on alternating current (ac) motivation.

The Linear-motor-driven Free Piston System has an internal piston inside the cylinder which is driven by an electro-magnet and spring system controlled by the alternating input current cycle. Therefore, the piston forms a single combined structure of motor and pump. The system is quiet and vibration free, and offers the advantages of easy maintenance and a long operating life.

## Features

- ▶ Long life
- ▶ Low noise & vibration
- ▶ Very Low power consumption
- ▶ Maintenance free
- ▶ High efficiency

## Application

- ▶ Gas analysis
- ▶ Medical instruments
- ▶ Massage machine
- ▶ Air mattresses
- ▶ Compression therapy devices

## Model Key

Category	KOGE	Pump	Type	Length of steel laminations	Series A~Z	Voltage	Series	Output
Diaphragm	K	P	T	38	A	110	A	KPT38A-110A

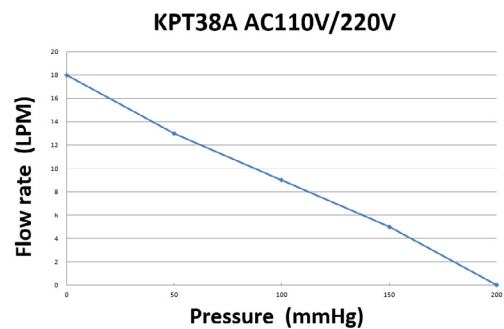
## Specifications

Part Number	KPT38A	
Voltage	AC 110V	AC 220V
Operating Voltage	AC 99~121V	AC 198~242V
Max. Flow	18 L/min	18 L/min
Max. Pressure	200mmHg	200mmHg
Max. Current	155mA	100mA
Life	3,000hrs	3,000hrs
Testing Cycle	Continuous	Continuous
Noise Level	< 45 dB	< 50 dB

## Materials

Nozzle	ABS
Valve	CR
Diaphragm	EPDM

## Curve Graph



## Similar Products

110V	220V
NA	KPT38B-220A

KOGE reserves the right to make technical changes without notice.