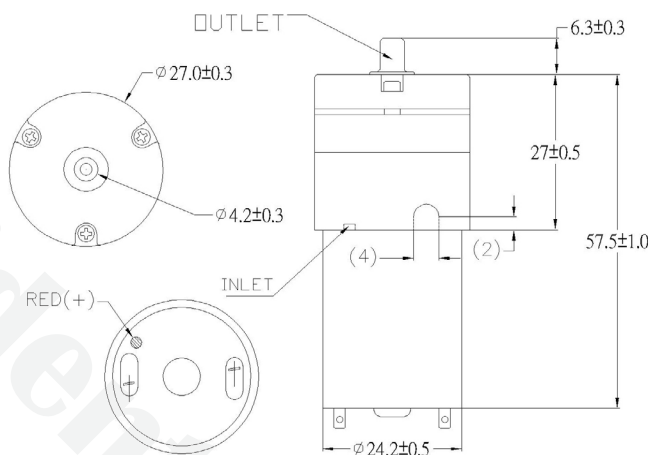


# Rotary Diaphragm Pump KPM27 Series KPM27U



Unit:mm

## Concept

Piston pumps and plunger pumps are reciprocating positive displacement pumps that use a plunger or piston to move media through a cylindrical chamber.

They use a mechanism (typically rotational) to create a reciprocating motion along an axis, which then builds pressure in a cylinder or working barrel to force gas or fluid through the pump. The pressure in the chamber actuates the valves at both the suction and discharge points.

Specifically, air flow rate is proportional to motor speed, piston stroke, and piston diameter.

## Features

- ▶ High efficiency
- ▶ Low energy consumption
- ▶ High stability
- ▶ Easy operation
- ▶ Variety type is available

## Application

- ▶ Medical instruments
- ▶ Respiratory therapy devices
- ▶ Massage application
- ▶ Electric medical devices
- ▶ Beauty care application
- ▶ Baby, Kids & Maternity

## Model Key

Category	KOGE	Pump	Type	Motor Diameter	Series A~Z	Voltage	Series	Output
Diaphragm	K	P	M	27	U	6	A	KPM27U-6A

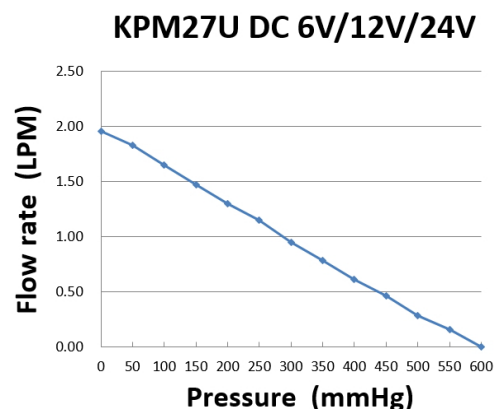
## Specifications

Part Number	KPM27U		
Voltage	DC 6V	DC 12V	DC 24V
Operating Voltage	DC 3V ~ 7.2V	DC 9V ~14V	DC 21.6V ~ 26.4V
Max. Flow	1.9 L/min	1.9 L/min	1.9 L/min
Max. Pressure	600mmHg	600mmHg	600mmHg
Max. Current	410mA	220mA	250mA
Life	30,000 cycles	100,000 cycles	30,000 cycles
Life Cycle Testing	On 9s;Off 8s@500CC Tank	On 5s;Off 5s@500CC Tank	On 9s;Off 8s@500CC Tank
Noise Level	< 52dB	< 55dB	< 52dB

## Materials

Nozzle	ABS
Valve	CR
Diaphragm	EPDM
Motor	DC brush

## Curve Graph



## Similar Products

	6V	12V	24V
KPM27C	•	•	•
KPM27V	•	•	X
KPM27W	•	X	X