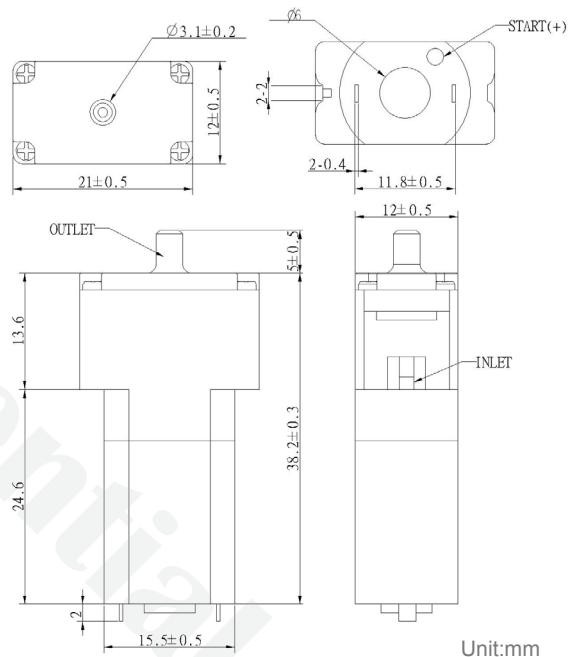
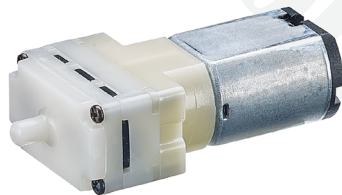


Rotary Diaphragm Pump KPM12 Series KPM12C



Concept

Piston pumps and plunger pumps are reciprocating positive displacement pumps that use a plunger or piston to move media through a cylindrical chamber.

They use a mechanism (typically rotational) to create a reciprocating motion along an axis, which then builds pressure in a cylinder or working barrel to force gas or fluid through the pump. The pressure in the chamber actuates the valves at both the suction and discharge points.

Specifically, air flow rate is proportional to motor speed, piston stroke, and piston diameter.

Features

- ▶ Compact size
- ▶ Low noise vibration
- ▶ High efficiency
- ▶ High stability

Application

- ▶ Medical instruments
- ▶ Healthcare devices
- ▶ Combustion analyzers
- ▶ Portable gas detection
- ▶ Patient monitoring

Model Key

Category	KOGE	Pump	Type	Pump Head Size	Series A~Z	Voltage	Series	Output
Diaphragm	K	P	M	12	C	3	A	KPM12C-3A

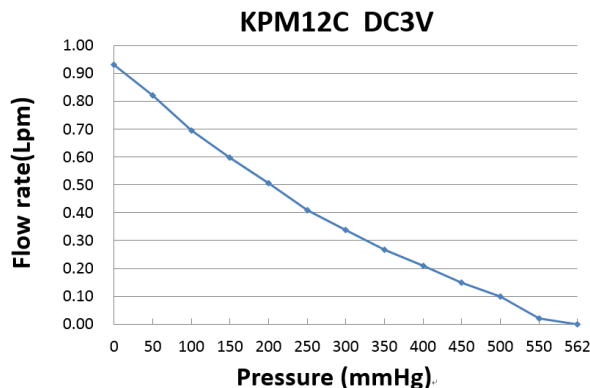
Specifications

Part Number	KPM12C-3A
Voltage	DC 3V
Operating Voltage	DC 2.0 V ~ 3.2 V
Max. Flow	0.9 L/min
Max. Pressure	562mmHg
Max. Current	460mA
Life	30,000 cycles
Testing Cycle	On 6s;Off 7s@100CC Tank
Noise Level	< 65 dB

Materials

Nozzle	ABS
Valve	Rubber
Diaphragm	Rubber
Motor	DC brush

Curve Graph



KOGE reserves the right to make technical changes without notice.